

# ELECTRO**CARE** MAINTENANCE SUPPORT PLAN



**Power Generators  
Soundproofing Solutions  
Power Transfer Switches  
Paralleling Systems  
Switchgears  
Controls**

**Generator Maintenance  
Services Agreements  
Control System Upgrade  
Battery Chargers  
Spareparts  
Consumables**





# POWER IS WINNING

## WHY **ELECTRONIL** !

We are a group of fearless thinkers, driven to empower people all over the nation – with reliable, revolutionary generators, power systems and power solutions.

We are nearly 30 years in the Egyptian markets, and only getting better. For the last two decades, we have engineered and shaped the future, redefining what power means to people's lives, careers and lifestyles.

**We exist for one reason: to move you forward.**



# WE WHAT WE DO

# 995

## لم تختار منتجات إلكتروني!

نحن مجموعة من المفكرين لا يخافون الإبتكار، مدفوعون بشغف تمكين عملائنا في جميع أنحاء البلاد - بمحطات توليد طاقة إعتمادية وموثوقة، بالإضافة إلى أنظمة وحلول متكاملة للطاقة.

لدينا ما يقرب من ٣٠ عاماً من الخبرة في الأسواق المصرية، ونعمل في تقدم دائم. على مدار العقدين الزميين الماضيين، قمنا بتصميم وصياغة المستقبل، وإعادة صياغة المعنى الحقيقي للطاقة الكهربائية لحياة عملائنا وأعمالهم وأنماط حياتهم.

نعمل بجهد لسبب واحد: **للحفاظ على تقدمكم.**

# WE ARE ELECTRONIL.

## Our Capabilities



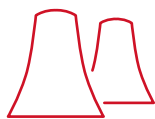
Power Generation Systems  
Design and Supply



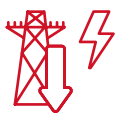
Complex Standby Systems,  
Synchronization and Load  
Sharing Including Multiple  
Utility Grid



Parallel with Utility Grid  
Operation



Power Stations



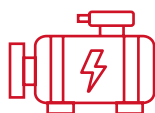
Mains, Feeder and Load  
Shedding Control Systems



BMS, SCADA and Remote  
Monitoring Systems



Low-Voltage Panel Building



Engine Driven  
Compressors and Pumps



Marine Certified Systems



Water Pump and Dredging  
Control Systems



Design, Supply, Install,  
Commissioning, Startup  
and Service



Standard, Sophisticated  
and Bespoke Control  
Systems



Design



Engineering



Training and Technical  
Support







# OUR STORY

A Magnificent force in power solutions since 1995, **ELECTRONIL POWER SOLUTIONS** is committed to reliable, intelligent products, advanced engineering and responsive after-sale support.

Over the years, we have amplified our well-known reputation to be a leader known for its premium range of generator-sets and control systems. Together, with building on the legacy of a leading brand, to create one of the largest generator-set and control systems providers in Egypt - and continued an unwavering focus on reliable power systems and innovation.

We deliver integrated industrial power systems for emergency, prime and continuous applications throughout whole Egypt—from data centers and hospitals to water treatment and hospitality facilities. With a deep understanding of your industry, we excel in designing customized power systems that simplify your most complex challenges.



## من نحن

تُعد شركة إلكترونيل لحلول الطاقة قوة رائدة في مجالات حلول الطاقة الكهربائية منذ عام ١٩٩٥، ومنذ ذلك الحين ونحن نلتزم بإمداد عملائنا بمنتجات موثوقة وذكية ومتطورة هندسياً بالإضافة إلى دعم سريع الاستجابة لخدمة ما بعد البيع والصيانة.

على مر الأعوام، ضاعفنا من سمعتنا المعروفة لكوننا من أكبر الكيانات الرائدة والمعروفة بمنتجاتها المتميزة من وحدات توليد الطاقة الكهربائية وأنظمة التحكم والحماية والتشغيل. بالإضافة إلى، واستناداً إلى إرث علامة تجارية رائدة، قمنا بإنشاء واحد من أكبر مزودي الأسواق المصرية بأنظمة الطاقة المتكاملة وأنظمة تحكم وتشغيل وحماية إعتمادية وموثوقة على مستوى جمهورية مصر العربية - واستمر التركيز المستمر على إبتكار أنظمة طاقة متكاملة وموثوقة ومتطورة.

نقوم بتقديم أنظمة توليد طاقة صناعية متكاملة لتطبيقات الطوارئ والمحطات الرئيسية والطاقة المستمرة في جميع أنحاء جمهورية مصر العربية - من مراكز المعلومات والمستشفيات إلى محطات معالجة مياه الشرب والصرف الصحي والفنادق. بدراسة وفهم عميق لمجال عملك، نتميز في تصميم أنظمة طاقة متكاملة ومتخصصة والتي تعمل على تبسيط التحديات الأكثر تعقيداً التي يمكن أن تقابلك.

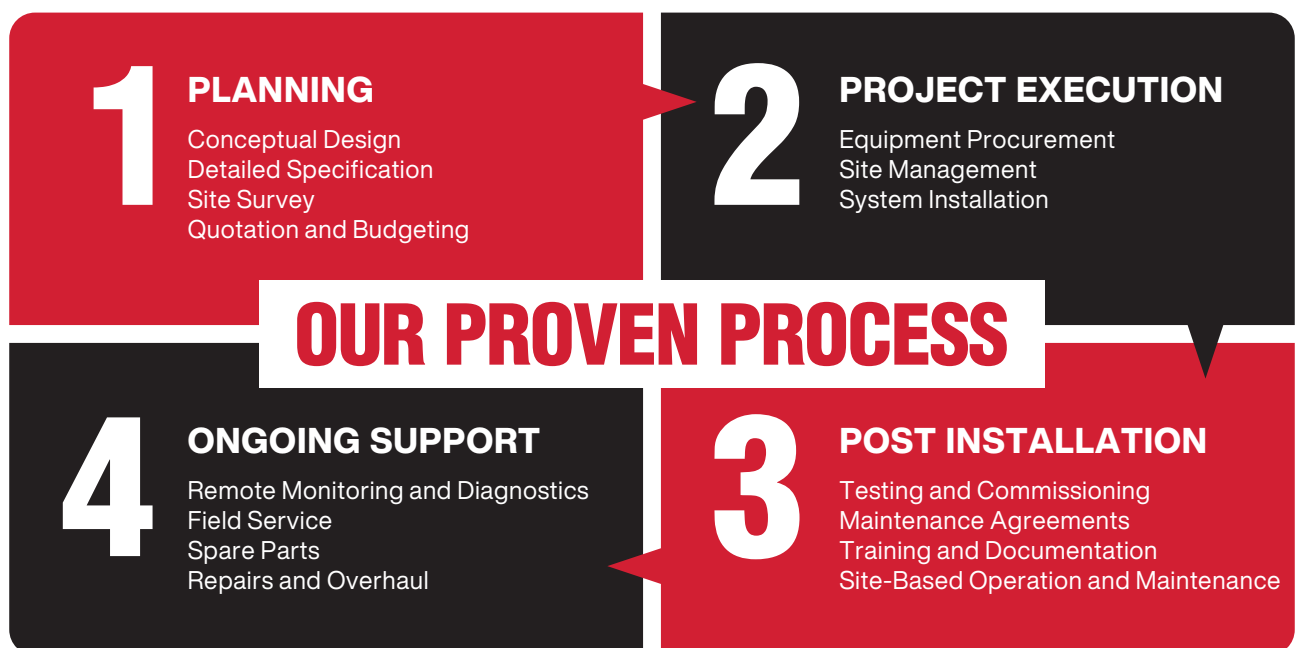
# TOTAL SYSTEM INTEGRATION

**Everything works together,  
Just as it should.**

A Power System is only as good as the parts that define it. That's why we engineer every detail down to the last bolt. From generators and power transfer switches to paralleling systems and switchgear and controllers, everything works together seamlessly. Because we design, engineer and test it that way.

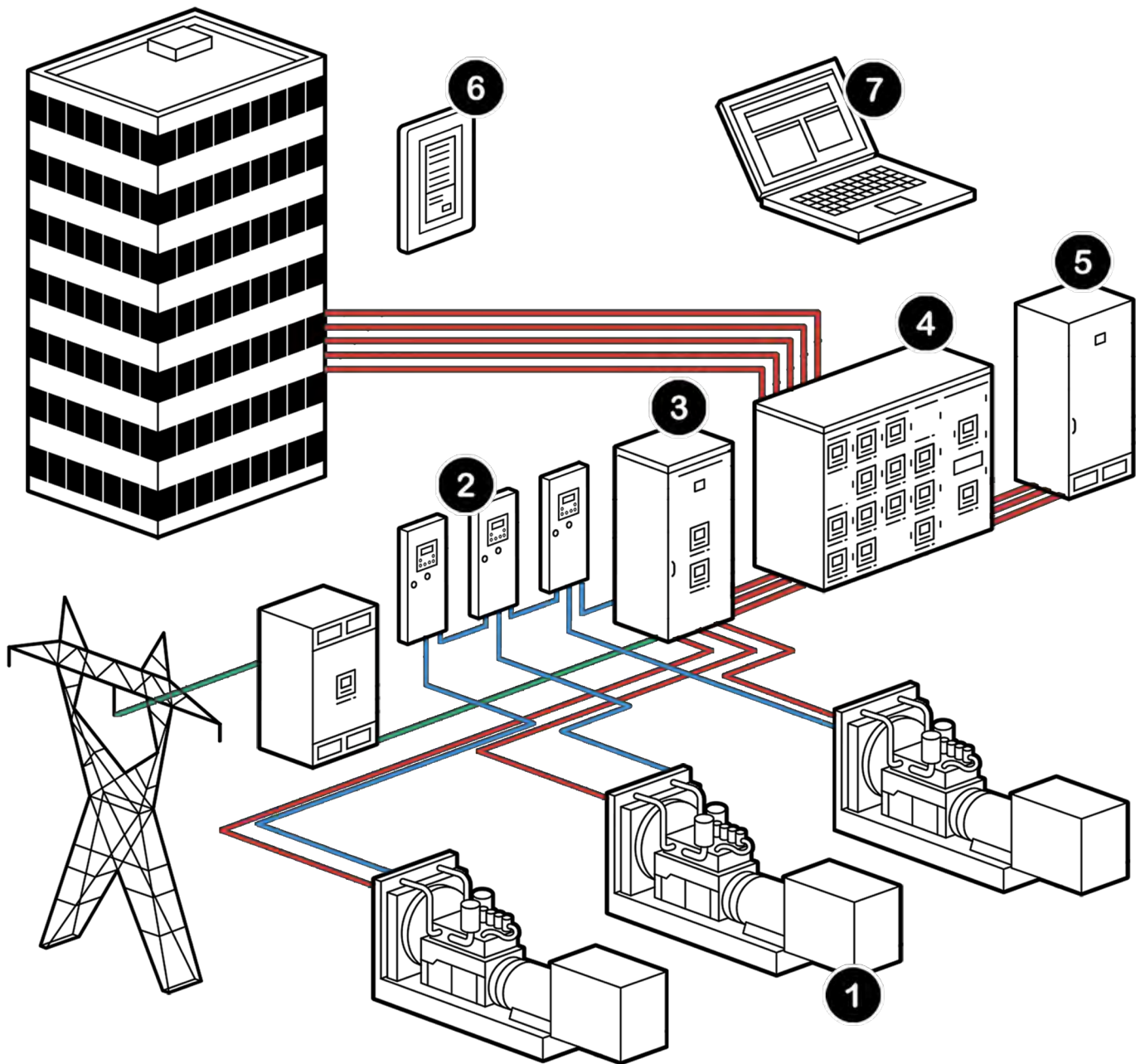
And that's the **ELECTRONIL** Difference.

**Good news:** There is more, behind that power system, there is a team of dedicated engineers that focuses on every element-generators, power transfer switches, switchgears and control systems — to be sure that the system you get is the system you need. You will know that your project is supported by an expert team, customized to your exact needs, brought in on budget and on time.



*From spec to start-up to service, **WE DO IT ALL.***

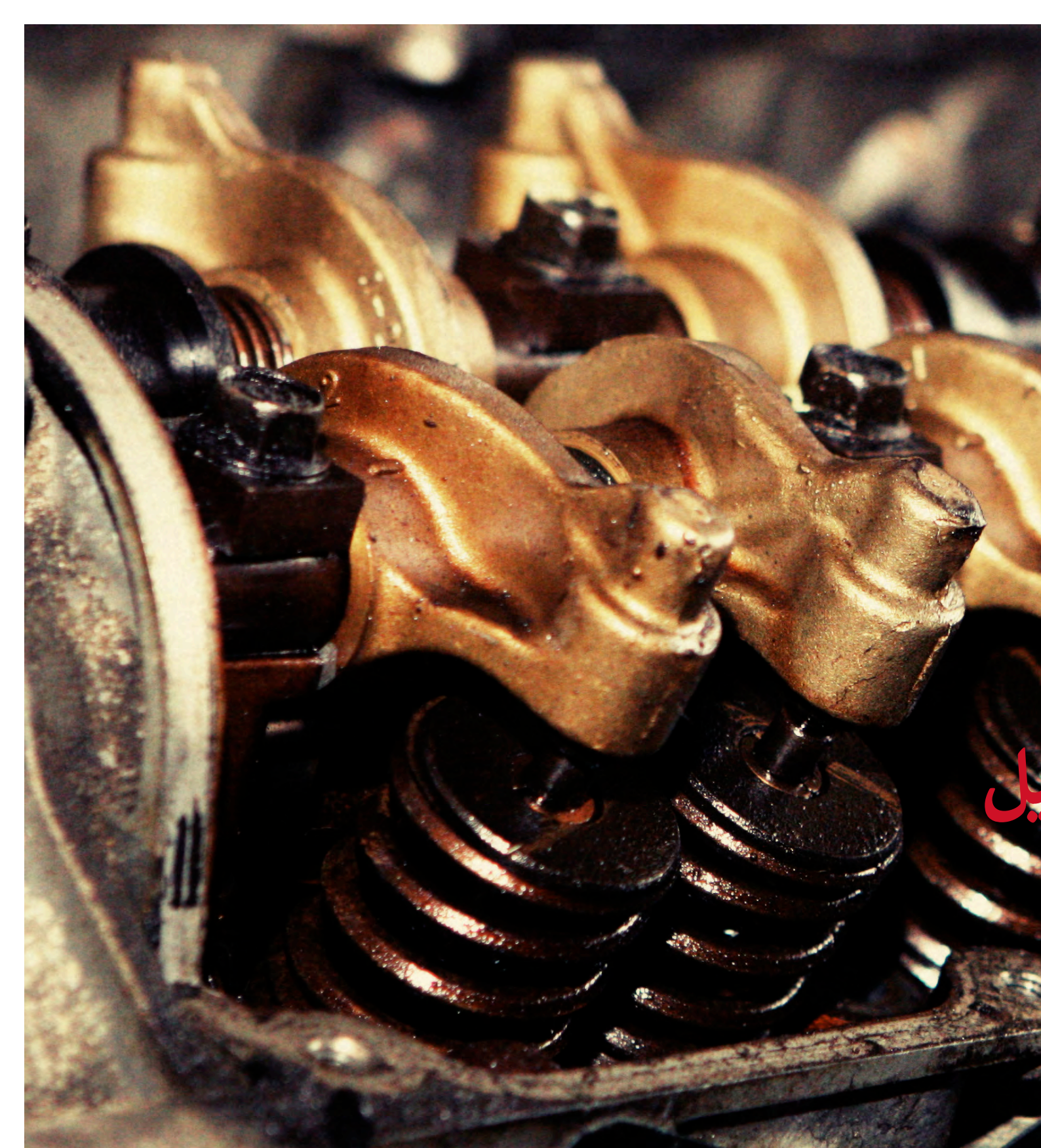




## TOTAL SYSTEM INTEGRATION

- 1 ED SERIES DIESEL GENERATORS**  
 Powered by Perkins, Volvo-Penta, or Cummins Diesel Engines, 9 - 3000 kVA
- 2 ENCP 9.1 GENSETS PARALLELING SYSTEM**  
 2-32 Generator set paralleling system with automatic power management and automatic engine run-hour balancing.
- 3 ENCP 9.3/ENCP 6.x TRANSFER SWITCH**  
 40-4000 A Power transfer switches, available in standard, bypass-isolation and service entrance switch configurations.
- 4 ELECTRONIL POWER DISTRIBUTION PANEL**  
 MCB, MCCB and ACB, Up to 6000 Amps.
- 5 ELECTRONIL POWER FACTOR CORRECTION SYSTEMS**  
 Up to 15 steps.
- 6 REMOTE ANNUNCIATOR**  
 Optional remote system monitoring.
- 7 THE SUPERVISOR MONITORING SOFTWARE**  
 Monitors generators and control systems from a PC and Smart Phones (Optional) Modbus or Ethernet.





بیل

# ELECTRO**CARE** MAINTENANCE SUPPORT PLAN





# إلكتروكير خطة دعم الصيانة من إلكتروكير

AN

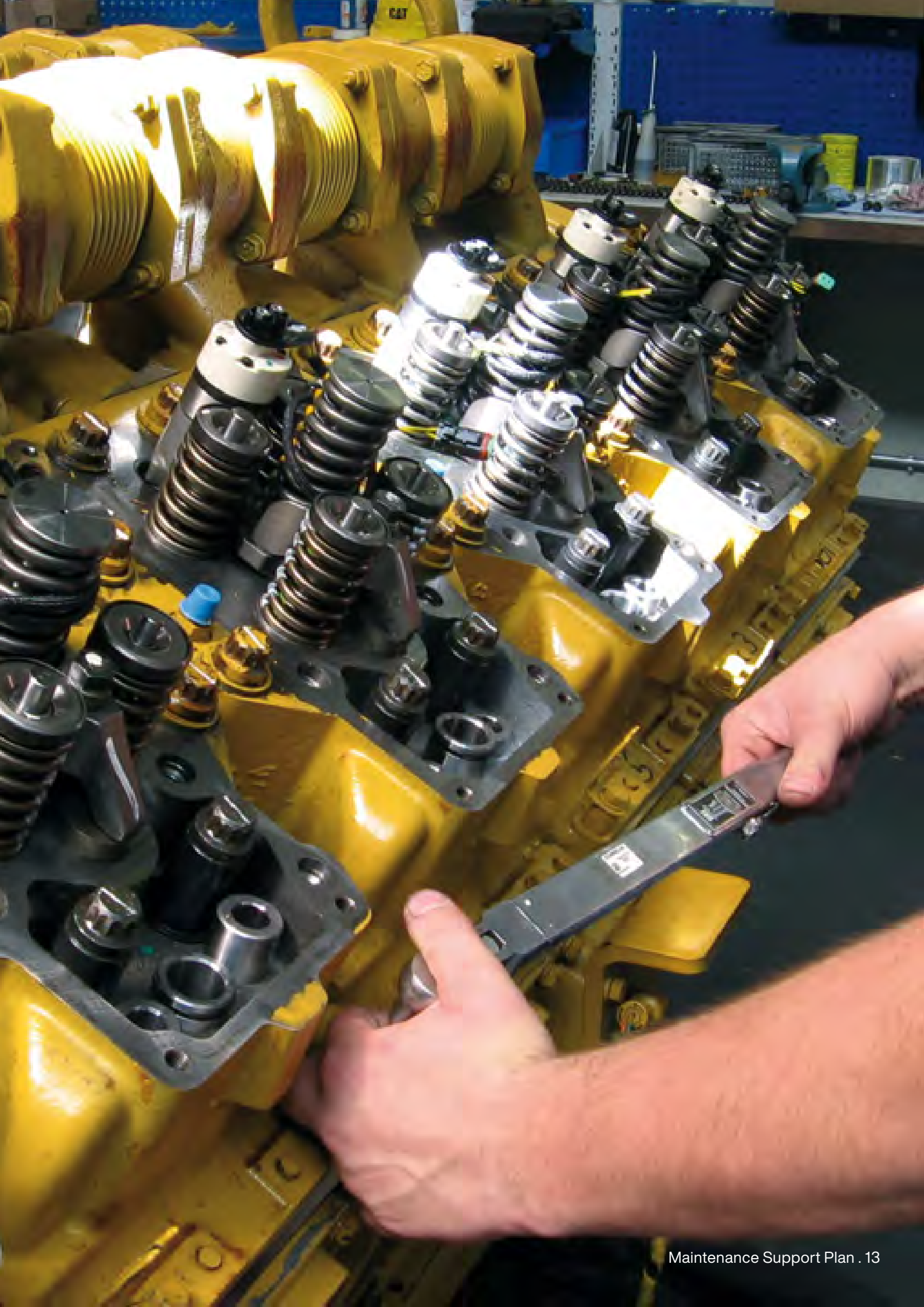




# ELECTRO**CARE** MAINTENANCE SUPPORT PLAN.

Ensure power is always there when you need it with the **ELECTRO**CARE**** Maintenance Support Plan. Our service experts continually monitor and maintain your equipment through a comprehensive maintenance schedule which keeps your generator in peak working condition. We are always available to provide the level of service support you need.

Choose from one of four **ELECTRO**CARE**** Maintenance Support Plans options to give your equipment the highest possible service care and maintenance cover, giving you total peace of mind.



# ELECTROCARE

## Maintenance Support Plan.

### OVERVIEW

**ELECTRONIL** Will Perform an initial site survey, which will enable us to fully evaluate your generator and ensure that we offer you the correct service plan to suit your business needs.

#### The survey will cover the following:

- Initial assessment of set condition.
- Set type and serial number.
- Set location on site.
- Accessibility to and from the set and parking requirements.
- Set usage (Standby, Continuous, Prime Power / Peak Lop), etc.
- Any other site-specific factors we need to be aware of.

The **ELECTROCARE** Maintenance Support Plan is focused on providing onsite maintenance with an effective, high quality condition monitoring and scheduled maintenance service.

We offer a fixed menu of service giving our customer the opportunity of not only ensuring that their generator set is working to its potential, but also that faults are identified and corrected before they develop into component failures, which are costly and time consuming to repair. This is achieved by the inclusion in all our products of **ELECTROCARE** Maintenance Support Plan critical function monitoring.

#### Critical Functions Monitored by **ELECTROCARE**

Much like a human body, today's engines have critical systems that need monitoring to maintain their health. These include the lubrication, coolant, fuel, air and management control systems.

**ELECTROCARE** Measures the trends and vital signs of these systems, frequently monitoring for faults or other areas requiring additional attention.

The **ELECTROCARE** Report highlights any component changes we recommend and gives guidance on the optimum time to action possible faults and maximize uptime.

#### **ELECTROCARE** Benefits

- Total support - when you need it, giving you total peace of mind.
- Confidence that your generator will start when you need it.
- Highest standards of maintenance and quality assurance.
- Scheduled servicing provides validation of warranty coverage.
- Cost-effective solution.
- **ELECTRONIL** Highly Trained engineers and technicians providing specialist expertise.
- Maximize uptime and save costs.
- Total added value package.



# ELECTROCARE Maintenance Support Plan.

## SUMMARY

### ELECTROCARE Support Plan Options Menu

| DESCRIPTION   | ELECTROCARE |          |           |           |
|---|-------------|----------|-----------|-----------|
|   | Standard    | Extra    | Premium   | Premium + |
| Routine inspection and report (see details in Appendix 1 below) | [S]         | [S]      | [S]       | [S]       |
| Critical functions monitored (see details in Appendix 2 below)  | [O]         | [O]      | [S]       | [S]       |
| Diagnostic analysis and recommendation reports                  | [O]         | [O]      | [S]       | [S]       |
| All work undertaken by highly trained and equipped technicians  | [S]         | [S]      | [S]       | [S]       |
| Transport and travel expenses included on scheduled visits      | [S]         | [S]      | [S]       | [S]       |
| Scheduled maintenance visits to meet your service requirements  | [O]         | [S]      | [S]       | [S]       |
| Out of hours call out facility                                  | [O]         | [O]      | [S]       | [S]       |
| Oil and filter change to meet your needs                        | [O]         | [O]      | [S]       | [S]       |
| PLAN FREQUENCY  | Annual      | Biannual | Quarterly | Monthly   |

### Appendix 1

#### Routine Inspection and Report

##### ENGINE SECTION

- Air filter inspect and advise.
- Oil, coolant and fuel level check and advise.
- Intake and exhaust system check.
- Fuel, coolant and oil pipe work check.
- Drive-belt condition check.
- Battery voltage drop check.
- Static battery charge check.
- Functional control panel test (offload).
- Radiator matrix check and advise.

##### ALTERNATOR SECTION

- AVR check.
- AVR performance check off load.
- Condition of load cabling check.

### Appendix 2

#### Critical Functions Monitored

##### CONTROL SECTION

- Alarm history/event log check (dependent on control system).
- Circuit breaker inspect and check.
- Switches, Fuses and MCB check.
- Indication lamps & sounder function check.
- Relays and bases check.
- Timing devices check.
- Control wiring inspection check.
- Engine protection check.

##### ANCILLARIES CHECK

- Block heater check.
- Battery charger check.
- Louvres and fans check.

[S] = Standard

[O] = Optional

# ELECTROCARE

## Maintenance Support Plan.

### OPTIONAL EXTRAS

#### Additional Options Available

The following additional options are available with each **ELECTROCARE** Maintenance Support Plan:

#### Standby Application

- Site load test attendance including documented results.
- Battery voltage drop test.
- Visits can be undertaken out of office hours.

#### Prime / Continuous

- Battery voltage drop test.
- Visits can be undertaken out of office hours.
- Oil and filter service every 200 hours or 6 months.
- Annual radiator clean and coolant replacement.

#### Optional Extras Benefits

- **Genuine Filters** and Spare Parts.
- **Engineers attendance** while site load testing is being carried out, load results from generator will be recorded.
- **Resistive load bank** test will be carried out with load results will be recorded and documented.
- **Visits can be undertaken out of normal hours** to suit your site requirements.
- **ELECTRONIL** Recommends 6 months or 200 hour service interval, this can be incorporated and worked round your site requirements.
- If **working in a harsh environment** regular cleaning will aid in cooling and performance.





# PARTS

## Genuine Parts.

We provide genuine/aftermarket parts and service support through a nationwide network of field-based service engineers and specialist service center workshops.

If you are a genset owner or operator, you have found the best place to get your genuine parts.

When you buy genuine parts, you buy peace of mind and the knowledge that the product you are getting is supported by our Service and Support team.

We want to provide you with the best parts for your genset, whether you own a new engine or an older one.

Our goal is to minimize your downtime and maximize your profits, with parts and service that deliver real value.



# ELECTRONIL CONTROL PANELS.

---

## The Smart Choice in Backup Power Systems.

Control Systems are the brains of a power system. They continuously monitor and manage operating conditions to ensure the reliability, flexibility and performance of the equipment as well as protect it from damage. We design and manufacture every detail of all ENCP Series Control Systems to ensure dependability, ease-of-use, safety and seamless integration with the rest of our equipment.

Our power equipment is used in a wide variety of applications, each of which places unique demands and challenges on its power systems, so we design our controllers to be extremely versatile and customizable.

Each one features programmable I/O modules to support customization and is designed to communicate and interoperate with these advanced building management systems (BMS).

### ENCP SERIES CONTROL SYSTEMS

Available to support either single generator or parallel operation, our ENCP Control Systems are easy to operate and provide dependable engine and alternator control, operating information and system diagnostics.

### GENSET CONTROLS

- ENCP 3 Series** | Single manual and remote start genset control systems.
- ENCP 7 Series** | Single genset automatic mains failure control systems.
- ENCP 9 Series** | Single/multiple synchronizing and load sharing genset control systems.

### POWER TRANSFER SWITCH CONTROLS

- ENCP 6 Series** | Automatic transfer switch control systems to communicate with the genset controllers to bridge the gap from utility to standby power, and back again, ensuring a smooth, seamless transition and minimal disruption.

### GENERATORS PARALLELING SWITCHGEARS

- ENCP iX** | 2-3 Genset synchronizing and load sharing switchgear control systems.
- ENCP X** | 2-20 Genset synchronizing and load sharing switchgear control systems.

### PARALLELING SWITCHGEAR CONTROLS

Each ELECTRONIL Paralleling Switchgear Solution is developed to meet your specific needs, and the control systems are programmed to your exact specifications. ELECTRONIL Deploys fault-tolerant programming and provides an intuitive user interface with real-time system information to enable better operational decisions.

**ENCP 9.1**

**POWER SOLUTIONS**

**GENSET 1**

ON DUTY SELECTED

ENGINE FAIL TO START

LOW ENGINE OIL PRESSURE

HIGH ENGINE TEMPERATURE



**ALARM  
WARNING  
SHUTDOWN**



**SYSTEM  
NOT IN AUTO**



**REMOTE START  
INITIATED**



**REVERSE  
POWER ALARM**



**GENSET  
OVERLOADED**

**LOCK**

REMOVE  
KEY

**UNLOCK**



**ALARM  
RESET**



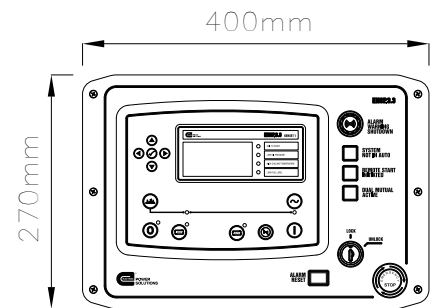
**SOLUTIONS**

# ENCP 3.3

## AUTO START GENERATOR CONTROLLER.



Image for illustration purposes only,  
Depending on your application the actual product may vary.



Overall Size: 400x270mm

### PRODUCT HIGHLIGHTS

- Independent fuel and start outputs
- Simultaneous use of RS485 & RS232 ports
- MODBUS RTU
- SCADA software
- Conventional engine support (MPU & Hz)
- CAN engine support (Tier 4F / Stage 5)
- Configurable front panel (PIN protected)
- Supports 7 languages
- Advanced protections
- Oil pressure disconnect delay
- Configurable icon screens
- Charge alternator disable functionality
- Dedicated inputs for ECU specific operations
- Advanced PLC editor
- SMS alerts & control
- Dual mutual standby

### ADVANCED FEATURES

#### INPUTS/OUTPUTS

- (8) Configurable inputs.
- (6) Configurable analog/digital inputs.
- (6) Configurable DC outputs.
- (2) Configurable Volt-free outputs.

#### COMMUNICATIONS

- Simultaneous use of RS485 & RS232
- MODBUS RTU
- USB for PC configuration
- SCADA software

#### ENGINE COMPATIBILITY

- Conventional engine support (Hz)
- CAN engine support (Tier 4F / Stage 5)

#### CONFIGURATION

- Configuration Suite PC software
- Front panel (PIN protected)

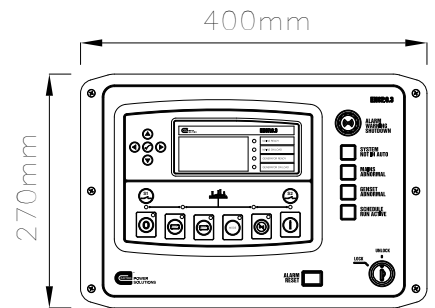


# ENCP 6.3

## POWER TRANSFER SWITCH CONTROLLER.



Image for illustration purposes only,  
Depending on your application the actual product may vary.



Overall Size: 400x270mm

### PRODUCT HIGHLIGHTS

- Configurable for RS232 or RS485.
- 3-phase monitoring of S1 and S2.
- Source 1 / source 2 control.
- Manual restore to S1.
- Load switching (load shedding outputs).
- Check sync feature.
- Power monitoring (kWh, kVAh, kVAh, kVAh).
- Start and load inhibit.
- Manual and automatic return.
- Supports multiple topologies.
- Rotary ATS configuration.
- Configurable timers and alarms.
- Multiple date and time scheduler.
- PLC editor.
- Real-time clock.
- SMS messaging.
- Configurable GenComm pages.

### ADVANCED FEATURES

#### INPUTS/OUTPUTS

- (12) Configurable inputs.
- (6) Configurable Volt-free outputs.
- (6) Configurable DC outputs.

#### COMMUNICATIONS

- Configurable for RS232 or RS485
- USB for PC configuration

#### CONFIGURATION

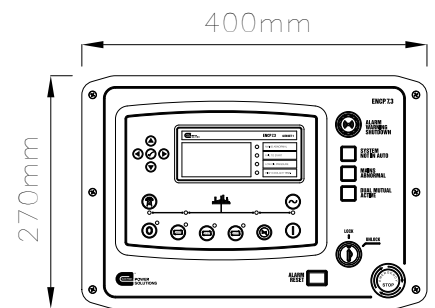
- Configuration Suite PC software
- Front panel (PIN protected)

# ENCP 7.3

## AUTO MAINS FAILURE GENSET CONTROLLER.



Image for illustration purposes only,  
Depending on your application the actual product may vary.



Overall Size: 400x270mm

### PRODUCT HIGHLIGHTS

- Independent fuel and start outputs
- Simultaneous use of RS485 & RS232 ports
- MODBUS RTU
- SCADA software
- Conventional engine support (MPU & Hz)
- CAN engine support (Tier 4F / Stage 5)
- Mains (utility) supply monitoring
- Automatic transfer between mains & generator
- Supports 7 languages
- Crank disconnect on generator voltage
- Oil pressure disconnect delay
- Configurable icon screens
- Charge alternator disable functionality
- Dedicated inputs for ECU specific operations
- Advanced PLC editor
- SMS alerts & control
- Dual mutual standby

### ADVANCED FEATURES

#### INPUTS/OUTPUTS

- (8) Configurable inputs.
- (6) Configurable analog/digital inputs.
- (6) Configurable DC outputs.
- (2) Configurable Volt-free outputs.

#### COMMUNICATIONS

- Simultaneous use of RS485 & RS232
- MODBUS RTU
- USB for PC configuration
- SCADA software

#### ENGINE COMPATIBILITY

- Conventional engine support (Hz)
- CAN engine support (Tier 4F / Stage 5)

#### CONFIGURATION

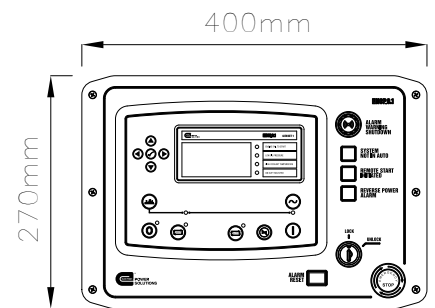
- Configuration Suite PC software
- Front panel (PIN protected)

# ENCP 9.1

## GENSET / GENSET PARALLELING CONTROLLER.



Image for illustration purposes only,  
Depending on your application the actual product may vary.



Overall Size: 400x270mm

### PRODUCT HIGHLIGHTS

- Independent fuel and crank outputs
- 5 stage dummy load and load shedding outputs
- Independent RS485, RS232, CAN, USB and Ethernet
- MODBUS RTU / TCP IP
- SNMP
- SCADA software
- Conventional engine support (MPU & Hz)
- CAN engine support (Tier 4F / Stage 5)
- Generator load demand with sequential set start
- 0-10 V & 4-20 mA oil pressure sensor support
- Power monitoring
- RoCoF and vector shift monitoring
- Automatic hours run balancing
- Sophisticated fuel monitoring and alarms
- 3-phase generator voltage and current sensing
- Sophisticated bus sensing (3-phase)
- Direct governor and AVR control
- Advanced SMS messaging
- Advanced PLC editor
- Support for worldwide languages
- Extensive data logging & trending
- Start & stop via SMS messaging

Full list of features available at  
[electronil.com/encp\\_9.1](http://electronil.com/encp_9.1)

### ADVANCED FEATURES

#### INPUTS/OUTPUTS

- (12) Configurable digital inputs.
- (4) Configurable analog/digital inputs.
- (8) Configurable DC outputs.
- (2) Configurable flexible sender inputs.
- (2) Configurable Volt-free outputs.

#### COMMUNICATIONS

- Independent ports for RS485, RS232,
- CAN, USB and Ethernet
- MODBUS RTU
- USB for PC configuration
- SCADA software

#### ENGINE COMPATIBILITY

- Conventional engine support (Hz)
- CAN engine support (Tier 4F / Stage 5)

#### CONFIGURATION

- Configuration Suite PC software
- Front panel (PIN protected)



# ELECTRONIL PARALLELED POWER SYSTEMS

**TOTAL INTEGRATION,**  
*From Top To Bottom.*

When it comes to paralleling systems, we offer 100% integration.

Our **ELECTRONIL PARALLELED POWER SYSTEMS** Designed, Engineered and Factory-Tested as a complete system, rather than built from parts from multiple manufacturers like some competitive products.

Comprised of our **ED SERIES GENERATORS, ENCP 9 SERIES PARALLELING SYSTEMS** and **SWITCHGEARS**, and **EBC SERIES BATTERY CHARGERS**. The **ELECTRONIL PARALLELED POWER SYSTEMS** delivers dependable power across multiple applications. Combine that with our extensive network of sales and service technicians, and you've got what everyone wants:

***peace of mind.***

Discover more at  
[electronil.com/paralleled\\_power\\_systems](https://electronil.com/paralleled_power_systems)



ENCP 8.1 GENSET 2

ELECTRONIL POWER SOLUTIONS

ELECTRONIL INTEGRATED POWER SOLUTIONS  
TECH. SUPPORT: (+201) 2 24 000 163  
E-MAIL: electronil@electronil.com  
www.electronil.com

GENSET MACHINE INTERFACE ENCP X

ELECTRONIL POWER SOLUTIONS

MASTER CONTROLS

ELECTRONIL POWER SOLUTIONS

ENCP 9.1 GENSET 3  
PARALLELING SYSTEM

ELECTRONIL POWER SOLUTIONS

ELECTRONIL INTEGRATED POWER SOLUTIONS  
TECH. SUPPORT: (+201) 2 24 000 163  
E-MAIL: electronil@electronil.com  
www.electronil.com



# THE BENEFITS OF PARALLELING GENERATORS

## Maximize Your System's Flexibility.

While it may be common for a facility to install a single large generator to meet its power needs, paralleling two or more generators offers a number of practical benefits and advantages over a single-generator system.

### REDUNDANCY

The redundancy provided by the paralleling of two or more generators delivers greater reliability and flexibility than a single generator can provide. In critical applications, having more than one generator connected to the bus at all times ensures continuous generator power in the unlikely event that a generator fails.

Discover more at  
[electronil.com/paralleled\\_power\\_systems](https://electronil.com/paralleled_power_systems)

### EFFICIENCY

Instead of one large generator that might operate at an inefficiently low kW, several small generators can be paralleled together and turned on and off as necessary to efficiently support the varying demands of the load.

In situations where your load needs require one genset, you'll run more efficiently. And that kind of efficiency can result in big savings. Because our **ENCP 9 Series** control systems automatically turns off any generators in your system when needs are low, you'll benefit from immediate fuel savings and reduce running time for greater generator longevity.





# ERATORS.

**ENCP SYNC**

## COST-EFFECTIVE

In many cases, paralleling two or more gensets to produce the same output as a larger single unit results in significant cost savings.

For example: you can **save up to 20%** when **paralleling three 500 kW units** compared to **one 1500 kW unit**.

## SPACE CONSTRAINTS

By using gensets with smaller footprints instead of one larger unit, the Paralleled Generators System provides greater location flexibility. The multiple units can be placed where a single genset won't fit, so space is used more efficiently. And because the weight of multiple units can be distributed, rooftop installation is even possible - something you simply can't do with many large single-generator sets.

## POWER REQUIREMENTS

If the largest available generator is too small to meet your power requirements, two or more generators can be paralleled to provide the necessary power.

## FUTURE GROWTH

A Paralleled Generators System can be designed to add additional generators as your facility's load requirements expand.

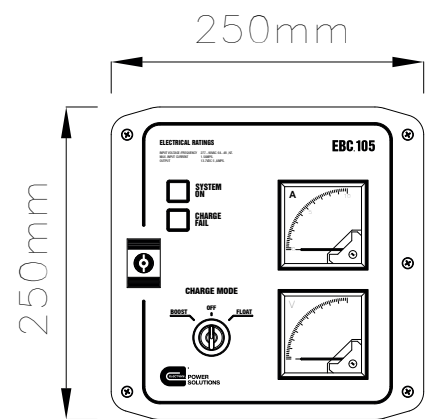
Purchase the Paralleled Generators System that fits your budget today. And, in the future, it can easily expand as your needs and budget allow. That way, you'll never have to worry about replacing a system you've outgrown.

# EBC Series

## AUTOMATIC ENCLOSED BATTERY CHARGERS.



Image for illustration purposes only,  
Depending on your application the actual product may vary.



Overall Size: 250x250mm

### PRODUCT HIGHLIGHTS

#### FEATURES

- Constant current / constant voltage.
- Automatic float mode return.
- Low output ripple.
- Reverse polarity, short-circuit and current limiting protection.
- Auto recovery on fault condition removal.
- Cell charge boost and equalizing.
- Power save mode.
- No moving parts – convection cooled.
- Charge fail indicator.
- 80% operating efficiency
- Manual Boost/Float Selection.
- Compatible with all common battery types.



# Service Support.

ELECTRONIL Provide Comprehensive Support on All Types of Generators Across Egypt.

## SUPPORT

Our Support Team provide specialist advice, technical support and assistance for:

- Generator service enquiries.
- Maintenance (planned and unplanned).
- 24/7 service and repair – (subject to agreement).
- Parts and consumables.
- Customer service agreements.
- New equipment sales.
- Panel and system upgrades.

## SERVICE

Our aim is to provide customers with service support that is fast and responsive, flexible and convenient, and minimizes equipment downtime and costs. We offer a range of services including:

- **Generator service enquiries.**
- **Maintenance Scheduling** – specifically designed to meet the service needs of your business.
- **Rapid Response** – 24hour emergency call out as required.
- **General Servicing** – all major makes and models of generator supported.

## LOCAL SERVICE

With a national fleet of mobile service engineers, our highly trained and skilled power generation service professionals have the capability, expertise and experience to support you, wherever you may be.

## SERVICE AGREEMENTS

Each service agreement is tailor made to your specific requirements. Once the optimized schedule of activities has been established, our engineers will visit you via a pre-arranged appointment to undertake the required servicing.

A service agreement, including regular testing, preventative maintenance and routine servicing, will ensure that your generator continues to provide you with the vital power you need.

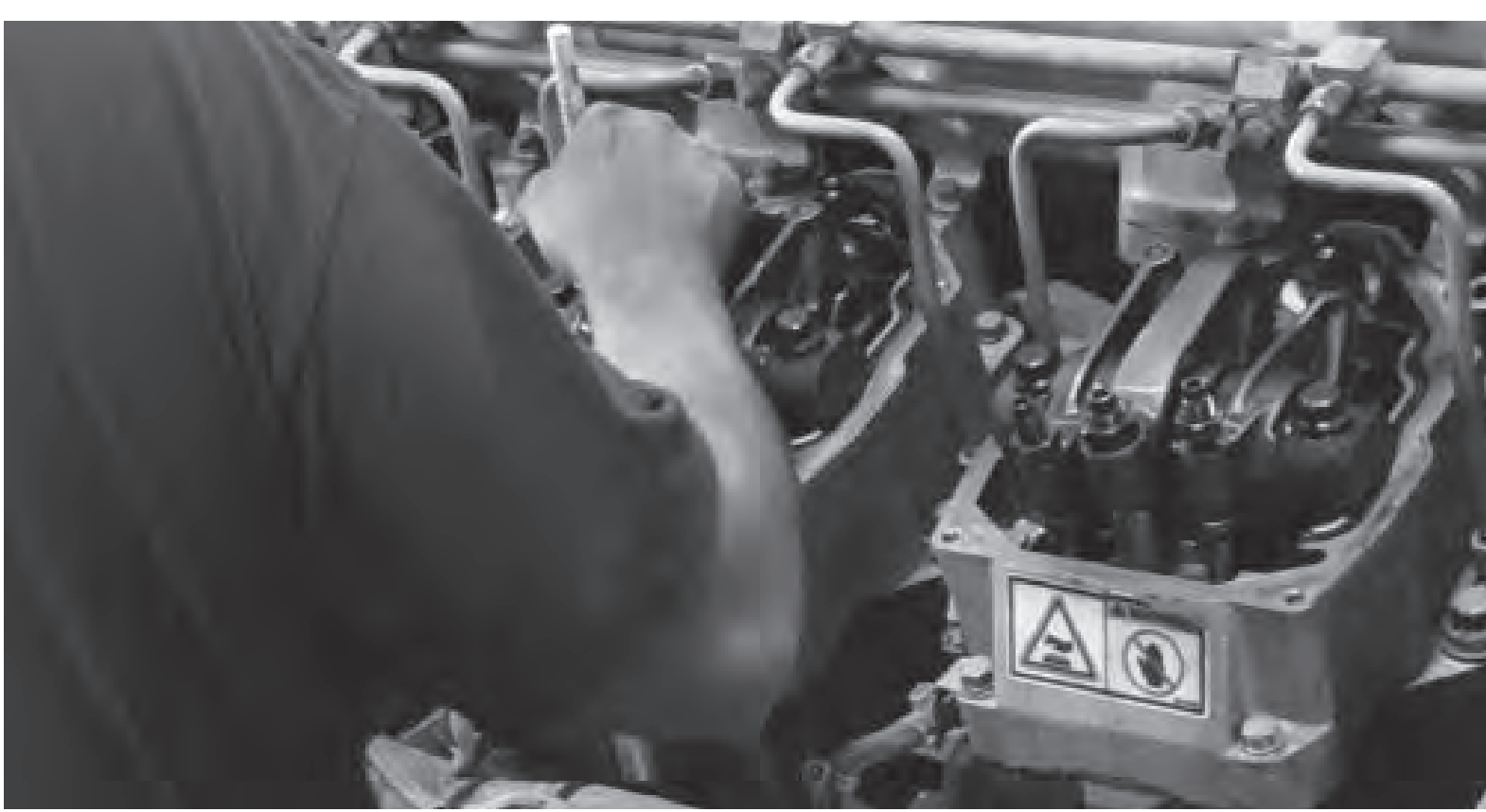
For a quotation for a maintenance agreement or to arrange a service visit, contact our Service Team who will be happy to assist.

## PARTS

For specialist advice and assistance on all products, and to place your order for next day delivery on genuine parts and engine consumables, contact our Service Team.







## **ELECTRONIL POWER SOLUTIONS**

**ENGINEERING THE FUTURE Since 1995.**

Tel/Fax: +20 (2) 2516 3930 | +20 (2) 2540 0286

info@electronil.com | Post Box Office 11742, Zahraa El Maadi.

### **SALES AND SPAREPARTS**

Phone: +20 (100) 1407 173

sales@electronil.com

www.electronil.com

### **SERVICE AND SUPPORT**

Phone: +20 (122) 4990 163


support@electronil.com

service@electronil.com




All data provided in this document is non-binding. This data serves informational purposes only and is especially not guaranteed in any way. Depending upon the subsequent specific individual projects, the relevant data may be subject to changes and will be assessed and determined individually for each project. This will depend on the particular characteristics of each individual project, especially specific site and operational conditions.

 @electronilPowerSolutions

 @electronil-power-solutions

 @electronil

 @electronilpowersolutions

 @Electronil\_PS